

# ILS300 INLINE STRAINER

The ILS300 is a lightweight bidirectional aluminium in-line strainer typically installed in mobile pumping systems to protect downstream equipment from debris and foreign objects.

## Features and Benefits

- Protects downstream equipment such as meters and pumps from debris and foreign objects.
- Stainless steel strainer basket is bidirectional.
- Drain boss located on lid.
- Easy to maintain. No tools required, just remove two eye bolts to remove the inside filter for cleaning.
- Strainer basket design ensures all liquid has to pass through the strainer and no debris or foreign objects can pass through.
- Aluminum strainer flange provides increased strength and durability.



ILS300

## Technical Information

<b>Maximum Working Pressure</b>	600kPa (check with Liquip for higher pressure requirements)
<b>Weight</b>	4 kg
<b>Mounting / Installation</b>	3" TTMA Flanges. Bidirectional
<b>Gaskets (Strainer Basket)</b>	Viton
<b>Working Temperature</b>	-20°C to 50°C
<b>Mesh Specifications</b>	490 micron (standard)
<b>Materials</b>	Aluminium body & lid, Stainless Steel mesh with aluminum flange, Viton seal.

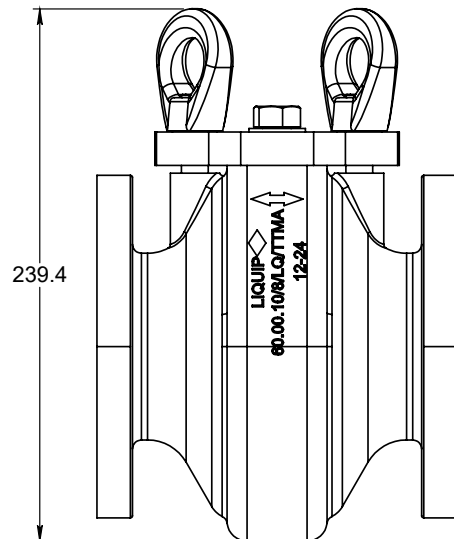
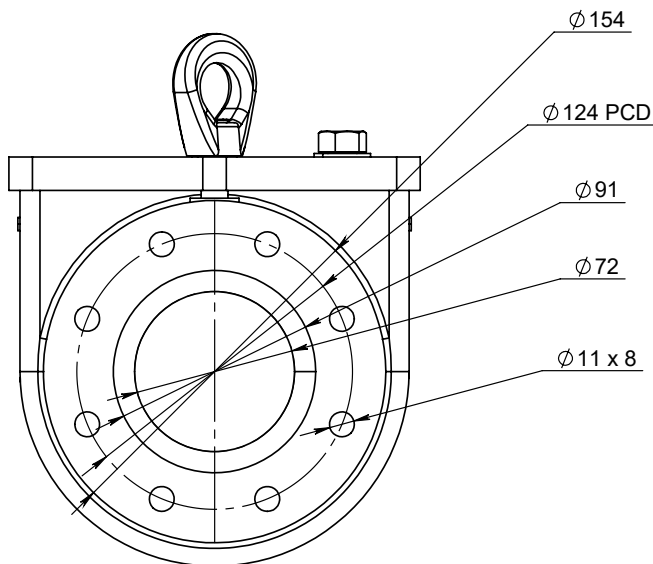
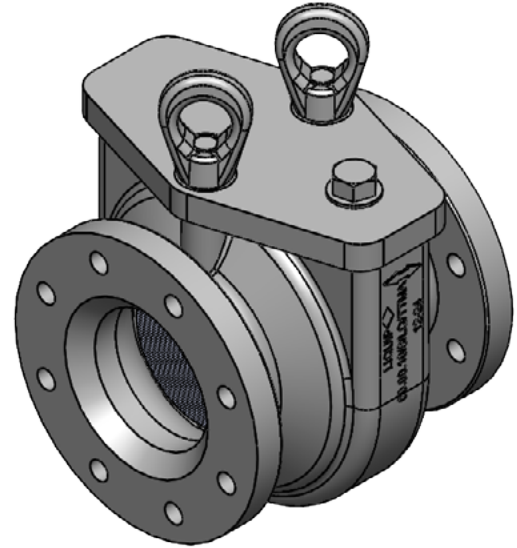
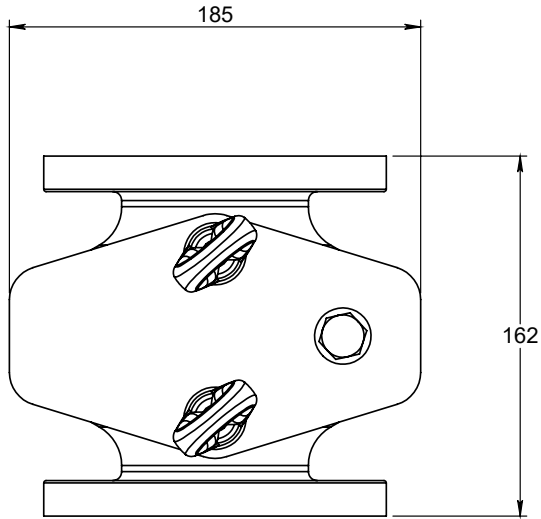
## Ordering Information

Item	Description
ILS300	Aluminium In-Line Strainer 3" TTMA flange both end with quick release lid for easy cleaning.
ILS300Z	ILS300 complete with 0656 NBR Cork gaskets.
ILS300VZ	ILS300 complete with 0656V Viton™ gaskets.

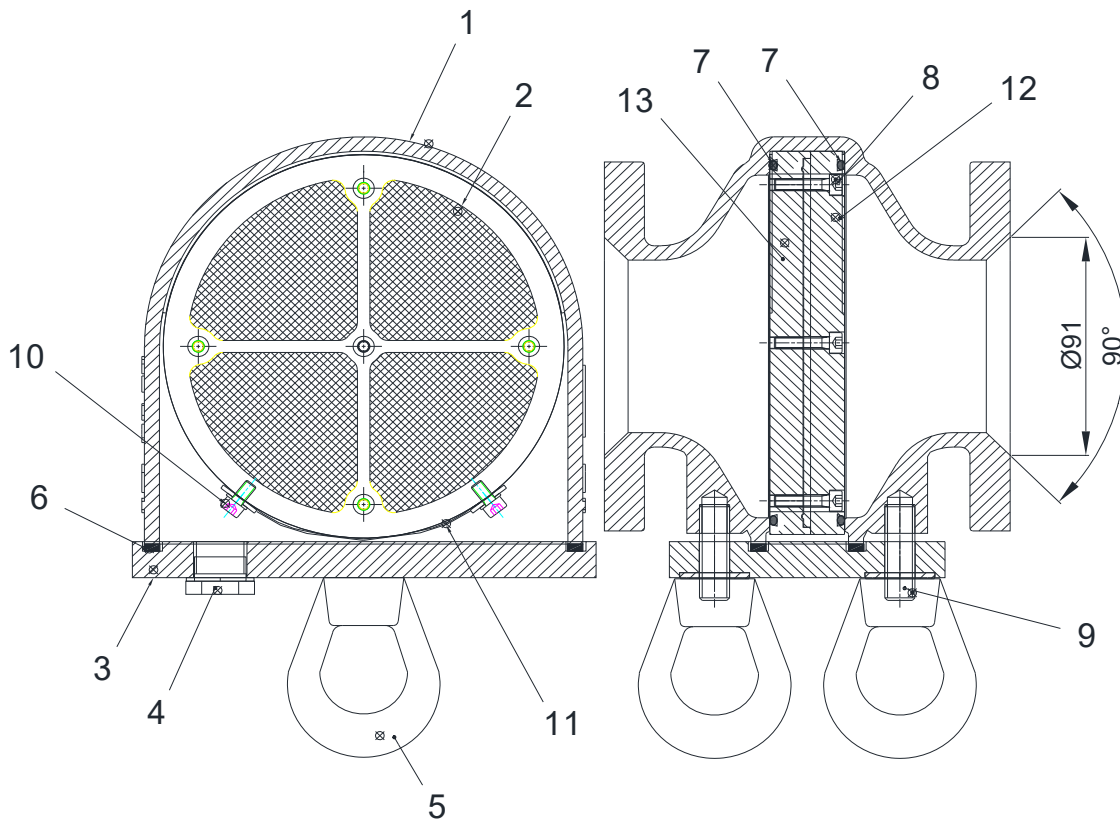
## Associated Equipment

Item	Description
ILS300-3-490	Strainer Basket S/S to suit ILS300 - 490 micron.
ILS300-3-1000	Strainer Basket S/S to suit ILS300 - 1000 micron.
0656	3" TTMA NBR Cork Gasket.
0656V	3" TTMA Viton™ Gasket.
LBV300	3" Butterfly valve with bonded Viton™ seal.
LBV300Z	LBV300 complete with 2 x 3" TTMA NBR gaskets.
LBV300VZ	LBV300 complete with 2 x 3" TTMA Viton™gaskets.
LBV350VG	3" Butterfly valve with bonded Viton™ GFLT seal.
BF3	3" TTMA Aluminium Flange.
BF3-SG	3" TTMA x 25mm thick.

# ILS300 INLINE STRAINER



## ILS300 INLINE STRAINER BOM



PART	DESCRIPTION	QTY	MATERIAL
1	BODY	1	ALUMINIUM ALLOY
2	FILTERING NET	1	STAINLESS STEEL
3	CLOSING LID	1	ALUMINIUM ALLOY
4	BLIND PLUG WITH WASHER	1+1	
5	THREADED EYELET	2	ZINCATED STEEL
6	GASKET	1	VITON
7	GASKET	2	VITON
8	SCREW	5	ZINCATED STEEL
9	THREADED STUD	2	ZINCATED STEEL
10	SCREW + WASHER	2	
11	GRIP CLAMP		ALUMINIUM ALLOY
12	FLANGE FOR FILTER CARTRIDGE	1	ALUMINIUM ALLOY
13	FLANGE FOR FILTER CARTRIDGE	1	