

# SWING HATCH - SH451 SERIES

Liquip offers a range of 450mm easy access swing style manhole covers for tankers that carry hazardous or flammable fuels/chemicals or aviation fuels and where frequent compartment entry is required for example when cleaning during load change outs.

Liquip's SH451 Series has been developed to not only meet but go beyond the requirements of the AS2809:2020 standard.

## Key Features

- Australian double drop tested and CEN drop test compliant.
- Generous 450mm opening compliant with AS2809:2020.
- 4 stainless steel Tee handles and swing bolts for increased durability.
- Tool-free installation of swing pins.
- Easy loading and quick access for cleaning and inspection.
- Includes an integral emergency vent and provision for a pressure vacuum vent.
- Available in many configurations based on a range of seal materials (Teflon, Viton or HAN) and coaming materials (aluminium, stainless steel or mild steel).

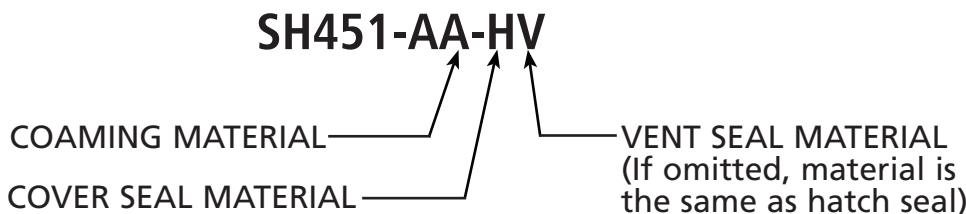


SH451 Swing Hatch

## Technical Information

<b>Regulations</b>	Passes Australian double drop tests and complies with AS2809:2020. SH451 hatch fastens to coaming via 4 x SS Tee Handles.
<b>Mounting</b>	If coaming extends further than 25mm into tank vapour space, a bleed hole must be added into the vapour space.
<b>Venting Pressure</b>	Emergency vent opens at 30kPa.
<b>Venting Capacity</b>	7450m <sup>3</sup> /hr at 45kPa.
<b>Weight</b>	~18kg (Al coaming).
<b>Materials</b>	<b>Cover</b> (Aluminium); <b>Coaming</b> (Aluminium; Mild Steel or Stainless Steel).

## Ordering Information



### Coaming Options

- A = ALUMINIUM
- M = MILD STEEL NORMAL
- MH = MILD STEEL HIGH
- S = STAINLESS STEEL

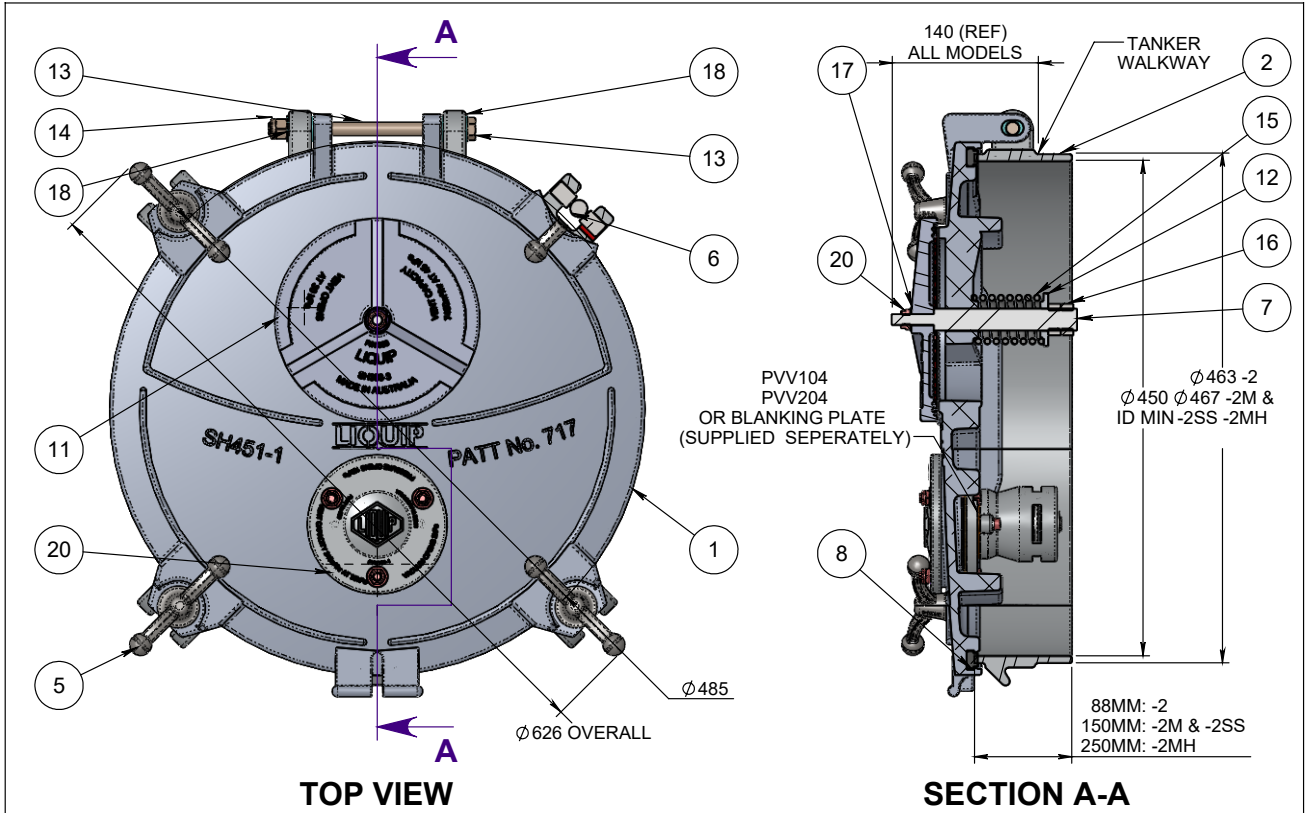
### Seal Options

- H = H.A.N (Nitrile)
- V = VITON
- TX = PTFE

## Associated Equipment

Item	Description
PVV series	Pressure Vacuum Vent (PVV104 series or PVV204 Series); VRB-2 (PVV Blank Plate).
HWC454Z	Hatch Weather Cover to suit SH451.

# SH451 MANHOLE ASSEMBLY



ITEM	PART NO.	DESCRIPTION												MATERIAL
			SH451-AA-V	SH451-AA-HV	SH451-AA-TX	SH451-AA-HVPV	SH451-AM-V	SH451-AM-HV	SH451-AMH-V	SH451-AMH-TX	SH451-AS-V	SH451-AS-HV	SH451-AS-TX	
1	SH451-1	MANHOLE COVER SWING HATCH	1	1	1	1	1	1	1	1	1	1	1	ALUMINIUM
2	SH451-2	COAMING FOR SH451	1	1	-	1	-	-	-	-	-	-	-	ALUMINIUM
	SH451-2TX	COAMING FOR SH451	-	-	1	-	-	-	-	-	-	-	-	ALUMINIUM
4	SH451-2M	MILD STEEL WELDED COAMING	-	-	-	-	1	1	-	-	-	-	-	MILD STEEL
	SH451-2SS	ST STEEL WELDED COAMING	-	-	-	-	-	-	-	-	1	1	1	ST STEEL
	SH451-2MH	MILD STEEL HIGH WELDED COAMING	-	-	-	-	-	-	1	1	-	-	-	MILD STEEL
5	SH451-4	TEE HANDLE	4	4	4	4	4	4	4	4	4	4	4	ST STEEL
6	SH451-5	PIN SWING	4	4	4	4	4	4	4	4	4	4	4	ST STEEL
7	SH451-7	EMERGENCY VENT SPINDLE	1	1	1	1	1	1	1	1	1	1	1	ST STEEL
8	SH451-8	SEAL FOR SH451 SWING HATCH	-	1	-	1	-	1	-	1	-	1	-	HAN
	SH451-8V	SEAL FOR SH451 SWING HATCH	1	-	-	-	1	-	1	-	1	-	-	VITON
	7653	SEAL FOR SH451 SWING HATCH	-	-	1	-	-	-	1	-	-	1	-	PTFE
9	4608	SEALING DISC TO SUIT	-	-	1	-	-	-	-	1	-	-	1	PTFE
10	5393	WASHER FLAT	-	-	1	-	-	-	-	1	-	-	1	ST STEEL
	5390	WASHER FIBRE	-	-	-	3	-	-	-	-	-	-	-	FIBRE
11	SH303-3	EMERGENCY VENT COVER	1	1	1	1	1	1	1	1	1	1	1	ALUMINIUM
12	SH303-4	SPRING RETAINER FOR	1	1	1	1	1	1	1	1	1	1	1	ST STEEL
13	55108	BOLT METRIC	1	1	1	1	-	-	-	-	-	-	-	ST STEEL
	5394	BOLT METRIC	-	-	-	-	1	1	1	1	1	1	1	ST STEEL
14	6655	NUT NYLOC	1	1	1	1	1	1	1	1	1	1	1	ST STEEL
15	4413	SPRING COMPRESSION	1	1	1	1	1	1	1	1	1	1	1	ST STEEL
16	5392	NUT - HALF	2	2	2	2	2	2	2	2	2	2	2	ST STEEL
17	4352	WASHER FLAT	1	1	1	1	1	1	1	1	1	1	1	ST STEEL
18	55107	WASHER FLAT	4	4	4	4	4	4	4	4	4	4	4	ST STEEL
20	6561	NUT GLENLOC MET	1	1	1	1	1	1	1	1	1	1	1	ST STEEL
21	PVV104M	PRESSURE AND VACUUM VENT	-	-	-	1	-	-	-	-	-	-	-	ALUMINIUM <sup>S50022-A</sup>

METERS - VALVES - VENTS - MANHOLES - HOSEREELS - OVERFILL PROTECTION - LOADING ARMS - ELECTRONIC DIPSTICKS



**LIQUIP**  
PART OF OPW a DOVER company

**LIQUIP INTERNATIONAL PTY LTD**  
148B NEWTON RD, WETHERILL PARK, SYDNEY N.S.W. AUSTRALIA 2164  
Phone: +61 2 9725-9000 Web: [www.liquip.com](http://www.liquip.com)

**X1100224**  
Sheet 1 of 1  
Issue: B