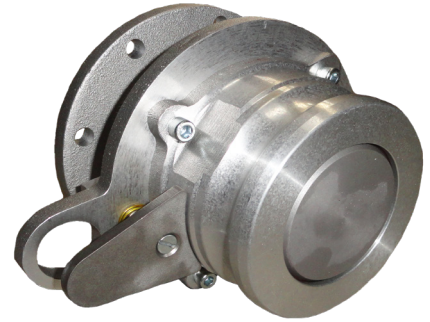


# The VCM3P Vapour Adaptor

The VCM3P is a poppet sealed cam and groove connection for truck vapour return lines that comes with a proximity switch holder.

The VCM3P series has an aluminium body with a 100mm (4") TTMA flange for mounting. The seals are Viton and the shaft runs in a delrin bush.

A standard camlock will not fit into this adaptor, only an approved vapour coupler will fit.



VCM3P model shown

## Key Features

- High flow automatic opening when vapour coupler is connected and automatic closing when coupler is disconnected.
- All aluminium construction with stainless steel springs and viton poppet seal.
- High flow rates and low pressure drop.
- Universal mounting - 100mm (4") TTMA flange.

## Operation

When female coupler is connected, the poppet is pushed inwards to allow vapour flow. The outer diameter of the female coupler pushes the striker plate forward and is detected by the proximity switch to provide electrical signal that vapour recovery is connected.

## Dismantle

Remove 4 off cap screws to remove nosecone, poppet and spider assembly. Check O-rings and re grease with solvent resistant grease before re assembling.

## Adjustment

Proximity sensor (when fitted) is adjusted by loosening retaining nuts and positioning where required then locking into position with nuts.

Recommended procedure is to push striker plate fully in, mount proximity sensor so it touches back of plate and lock into this position.

## Technical Information

<b>Standards</b>	Complies with AS5602:2009 Refined petroleum products—Vehicle bottom loading and vapour recovery. (Selectivity counter-bore provided).
<b>Poppet Opening Pressure</b>	Poppet opens under external pressure of 4-6 kPa for vacuum relief.
<b>Pressure Drop</b>	Pressure drop less than 4 kPa at 6,000 litres/min flow of free air across coupled connection.
<b>Mounting</b>	4" (100mm) TTMA flange (8 x Ø11 holes on 149mm PCD).
<b>Nosecone</b>	Nosecone is standard 4" NATO camlock with interference selectivity ring to prevent wrong connection.

## Ordering Information

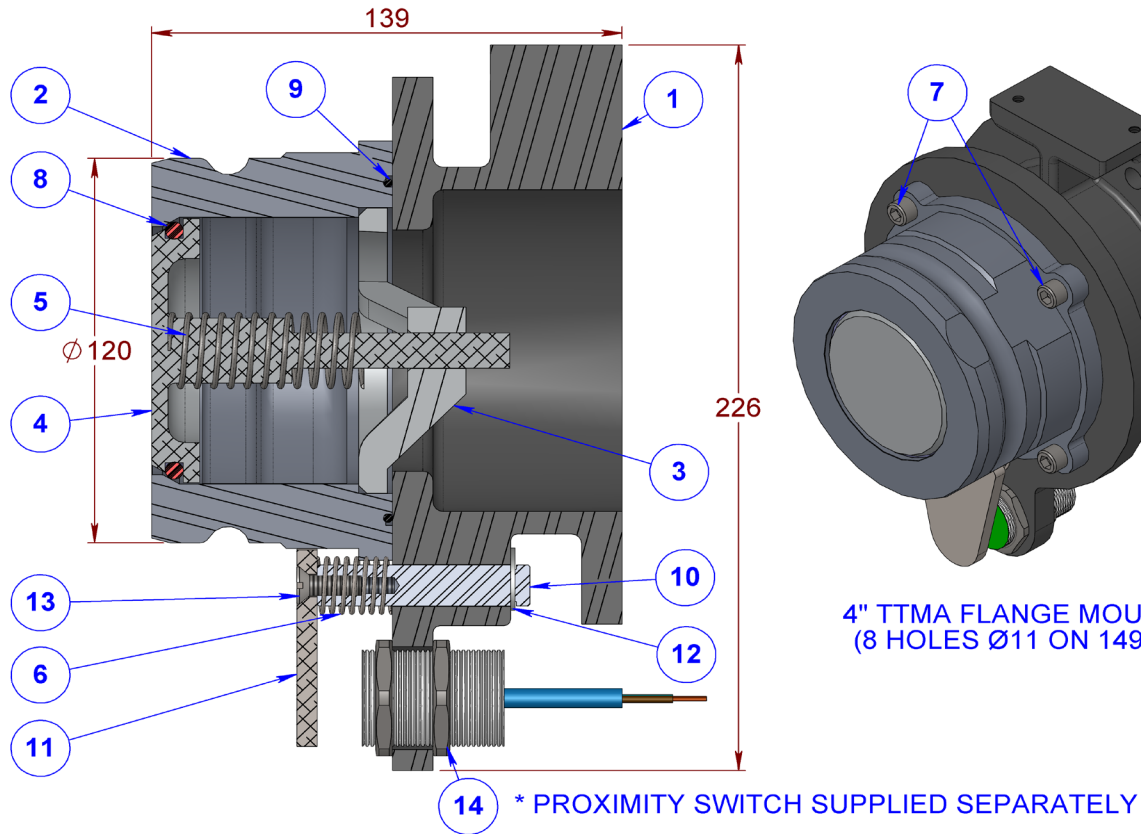
VCM3P: Vapour recovery adaptor with proximity switch holder. (proximity switch sold separately).

## Associated Equipment

5544 Proximity switch (M30).

VCF075W Vapour Coupling 100mm female camlock to 100mm hosetail.

# VCM3P VAPOUR ADAPTOR



ITEM	PART No	DESCRIPTION	QTY	MATERIAL
1	VCM3P-1	BODY FOR VAPOUR RECOVERY ADAPTOR	1	ALUMINIUM
2	VTE3-11	NOSE CONE TO SUIT VTE3 & VCM3	1	ALUMINIUM
3	VTE3-3	SPIDER	1	ALUMINIUM
4	VTE3-12	POPPET TO SUIT VCM3 & VTE3	1	ALUMINIUM
5	VTE 3-4	SPRING	1	ST STEEL
6	4409	SPRING	1	ST STEEL
7	0716	CAPSCREW IMPERIAL	4	Z/P STEEL
8	0264	O-RING	1	VITON A
9	0265	O-RING	1	NITRILE
10	VCM3P-3	SPINDLE	1	ST STEEL
11	VCM3P-2	STRIKER PLATE	1	ST STEEL
12	0096	E-CLIP IMPERIAL	1	Z/P STEEL
13	2092	SCREW MACHINE IMPERIAL	1	Z/P STEEL
14	5544	PROXIMITY SENSOR 30mm Ex ia	*	ELECT

METERS - VALVES - VENTS - MANHOLES - HOSEREELS - OVERFILL PROTECTION - LOADING ARMS - ELECTRONIC DIPSTICKS

X1250401.C