

AVV075K AIR OPERATED VAPOUR VENT FOR CHEMICALS

Liquip's AVV Series of aluminium sequential air operated vapour vents have a 90mm nominal diameter outlet and are sequentially air actuated to allow the venting of vapour from tanker truck compartments while loading or unloading.

The AVV series can be used in conjunction with an overflow protection interlock that prevents loading if the vapour recovery system has failed to fully activate.



AVV075K

Features and Benefits

- Aluminium construction with Teflon Piston and Kalrez seals as standard.
- The sequencing valve is offered to ensure the main poppet is fully open before next vent opens.
- Bolted from inside tank. Gauze in body prevents access through outlet spout in certain models (optional)
- The end signal can then be used to allow loading/unloading in the certainty that all vapour vent poppets are open.
- The sequencing valve can be blanked if not required.
- The poppet opens inwards to prevent leakage and spills from product surge in the event of a tanker rollover.

Technical Information

Operating Pressure	120kPa to 900kPa (Normal 500kPa)
Consumption/Stroke	1 Litre Free Air
Body	Aluminium
Seals	Teflon Piston and Kalrez Seals
Weight	1.9 kg
Mounting	Mounts directly on to Liquip manhole covers or by weld flanges in aluminium, steel or stainless steel for walkway and coaming mount. Bolted from underneath.
Materials	Aluminium body and lid, Stainless Steel mesh with aluminium flange, Viton Seal.

Ordering Information

Item	Description
AVV075K	Chemical Version with Kalrez o-rings.

Associated Equipment

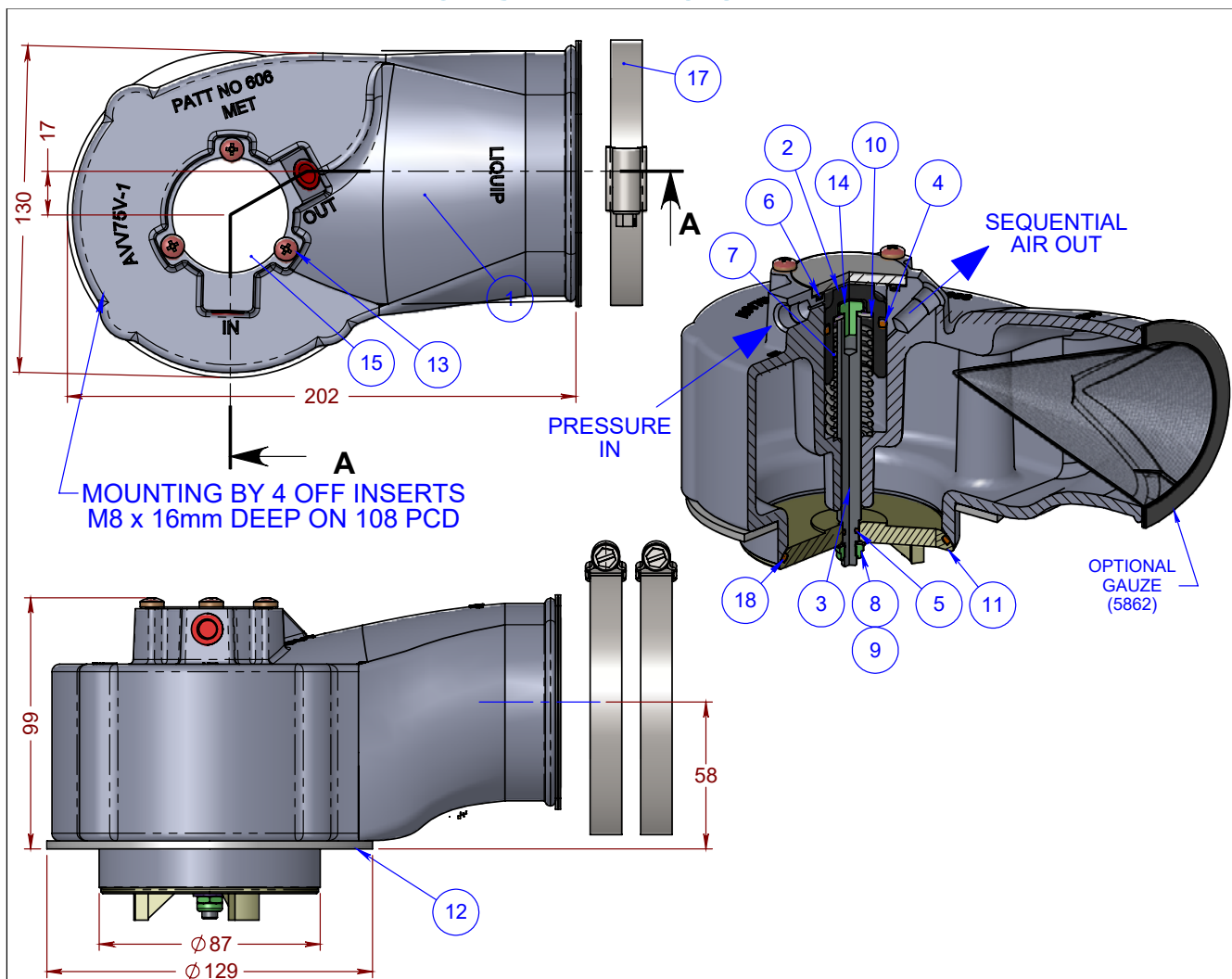
Item	Description
VRB3.5-1	Aluminium Weld stub to allow venting into coaming.
AVV3-12	Polyurethane louvre for weather & anti-spark protection.

*** Note:**

The nature of Teflon is that it is unyielding but easily scratched; therefore the slightest damage can lead to weeps particularly where clamping force is provided by a spring which is necessarily limited in force.

However the use of Teflon cannot be avoided because of its outstanding chemical resistance. Liquip guarantee the sealing of all new products and test all production prior to dispatch. Following installation of the equipment by the Purchaser it is essential that the valve be kept perfectly clean, any test liquids be perfectly clean and no tools be allowed to touch the Teflon seals. It is not uncommon for valves to exhibit small weeps once in service with commercial-quality liquids.

AVV075K VAPOUR VENT



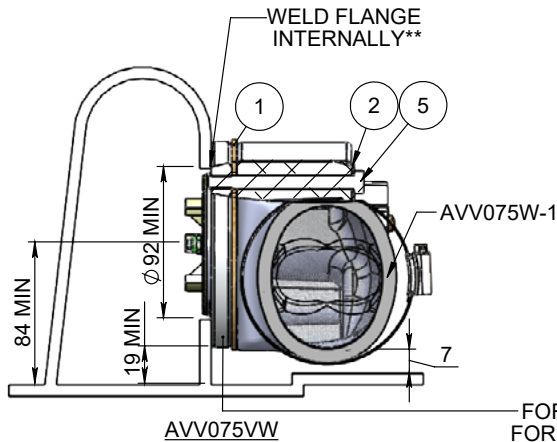
ITEM NO.	PART NUMBER	DESCRIPTION	AVV075K	MATERIAL
1	AVV075V-1	BODY FOR LOW PROFILE	1	ALUMINIUM
2	AVV175V-3	PISTON	1	TEFLON
3	AVV075V-6	SHAFT - LOW PROFILE	1	ST STEEL
4	7569	O-RING	1	FFKM
5	7581	O-RING	1	FFKM
6	6089	O-RING	1	NITRILE
7	6141	SPRING COMPRESSION	1	ST STEEL
8	4400	NUT HALF NYLOC	1	Z/P STEEL
9	5267	WASHER FLAT	1	Z/P STEEL
10	5329	WASHER FLAT	1	Z/P STEEL
11	AVV075V-4	POPPET	1	ALUMINIUM
12	4297	GASKET	1	EXP-PTFE
13	6501	SCREW METRIC	3	ST STEEL
14	6523	SETSCREW METRIC	1	Z/P STEEL
15	AVV075V-5	LID FOR LOW PROFILE VAPOUR VENT	1	ALUMINIUM
16	7888	INSTRUCTION LEAFLET	1	PAPER
17	2308	CLAMP HOSE No.5	2	Z/P STEEL
18	7593	O-RING TO BS1806 & SAE AS568A	1	FFKM

X200107.E

METERS - VALVES - VENTS - MANHOLES - HOSEREELS - OVERFILL PROTECTION - LOADING ARMS - ELECTRONIC DIPSTICKS

MOUNTING OF AVV075 SERIES VAPOUR VENTS

MOUNTING TO COAMINGS

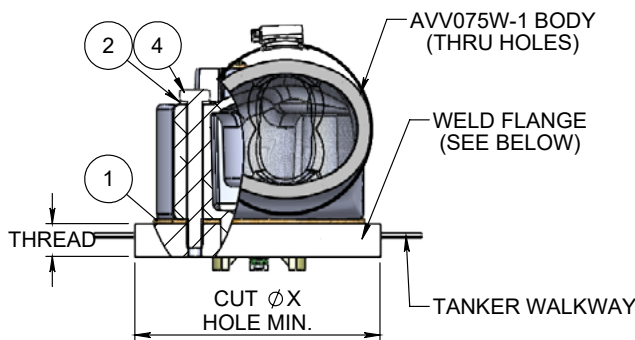


NOTES:

1. THIS SYSTEM WAS DESIGNED ONLY FOR VAPOUR RECOVERY VALVES MOUNTED INTO ROLL-OVER COAMING. USE ONE OF THE OTHER SYSTEMS FOR COMPARTMENT MOUNTING.
2. THREAD SEALANT IS REQUIRED FOR THROUGH HOLE FLANGES.
3. ** ENSURE POPPET CLEARS WELD.

FOR ALUMINIUM COAMINGS, USE ALUMINIUM FLANGE AVV3L-9
FOR MILD STEEL COAMINGS, USE MILD STEEL FLANGE AVV3L-10
FOR ST STEEL COAMINGS, USE ST STEEL FLANGE AVV3.0-9

MOUNTING TO WALKWAYS



AVV075VW

WELD FLANGES WITH TAPPED HOLES

PART	MAT'L	THREAD	CUT Ø X	DIM 'A'
AVV3U-7	ALUM	8mm METRIC	153	25
AVV3U-8	STEEL	8mm METRIC	153	25

NOTES:

1. FOR CHEMICAL APPLICATIONS USE STAINLESS STEEL EQUIVALENTS FOR FASTENERS AND EXPANDED PTFE FOR GASKET.

ITEM	PART NO	DESCRIPTION	QTY	MATERIAL
1	3096	GASKET	1	NEOCORK
2	4943	WASHER SPRING M8	4	Z/P STEEL
3	4956	BOLT M8 X 35 LONG HEX HEAD	4	Z/P STEEL
4	4949	BOLT M8 X 90 LONG HEX HEAD	4	Z/P STEEL
5	4880	BOLT 5/16" BSW X 3 1/2' LONG HEX HEAD	4	Z/P STEEL

MOUNTING TO MANHOLES

AVV075V

