

LBV300 Butterfly Valves

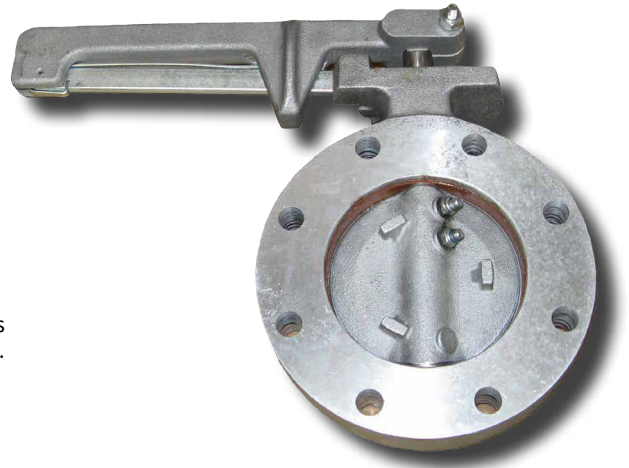
The LBV300 is a full flow hand operated or position locked butterfly valve.

The LBV300 valve controls flow of product through pipelines fitted with 75mm (3") TTMA flanges. Upgrade of previous models LBV3-V.

Operation

Butterfly disc is parallel to handle and can be locked in the following positions; fully closed, 1/3rd open, 2/3rd open and fully open. To change position, squeeze handle tightly so that locking lever is disengaged from slot and move to new location. Locking lever will spring back when grip is loosened on handle – ensure it is fully engaged in one of the locking slots.

LBV300 can have an aluminium locking tab (LBV4-7) in place of the operating handle to keep the valve locked in the required position. The locking tab must be loosened from shaft before butterfly disc can be repositioned. This is ideal for where a valve would need to be open most of the time, while still being able to shut off valve for maintenance of downstream pipework or components such as loading arms.



Ordering Information

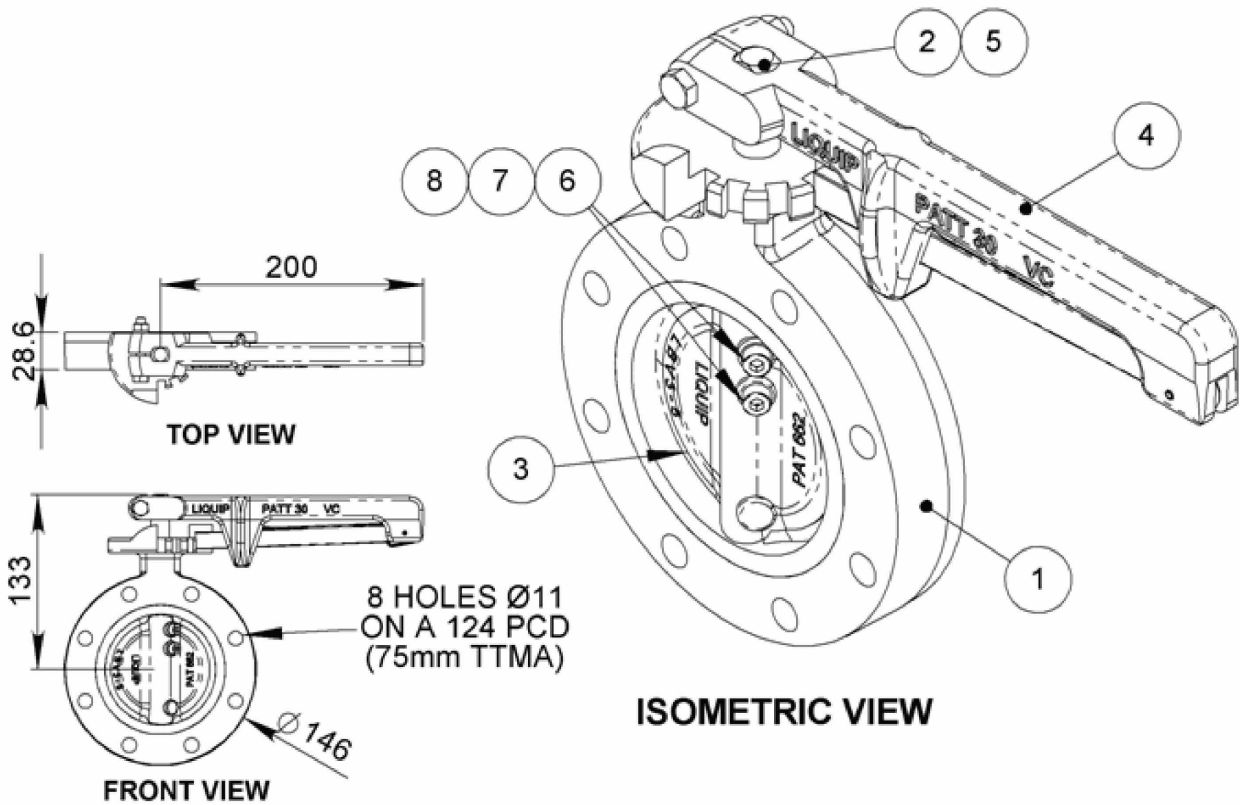
- LBV300 - 3" Butterfly valve c/w bonded Viton seal
- LBV300Z - LBV300 c/w 2 x 3" TTMA Cork gaskets
- LBV300VZ - LBV300 c/w 2 x 3" TTMA Viton gaskets

Specifications

| | | |
|----------------------------------|--|---|
| Technical Data | Working pressure | 1500kPa (210 PSI) in open position 700kPa (101 PSI) in closed position |
| | Maximum temperature | 100°C |
| | Minimum temperature | -10°C |
| Adjustment or Service | Periodically (approx every 6 months), inspect butterfly seat. | |
| Materials of Construction | Body | Cast aluminium |
| | Butterfly Disc | Cast aluminium |
| | Handle | Cast aluminium with zinc plated steel locking lever |
| | Spindle | Stainless steel |
| | Seal | Viton |
| Mounting | LBV300 mount directly to Liquip 75mm TTMA standard flange with chamfered entry to ensure disc clearance in open position | |
| Dismantle | Not a serviceable item. Use service-exchange. | |
| Weight | 1.6kg | |
| Associated Equipment | BF3 | 75mm TTMA aluminium flange (also available in mild & stainless steels) |
| | 0656 | 75mm TTMA NBR cork gasket |
| | 4287 | 75mm TTMA klingerite gasket |
| | LBV4-7 | Locking tab |
| | 0656V | 75mm TTMA viton gasket |

LIQUIP

LBV300 BUTTERFLY VALVE 75mm TTMA



| ITEM NO. | PART NUMBER | DESCRIPTION | QTY | MATERIAL |
|----------|-------------|-----------------------|-----|-----------|
| 1 | LBV300-1 | BODY WITH BONDED SEAL | 1 | ALUMINIUM |
| 2 | LBV3-6 | SPINDLE | 1 | ST STEEL |
| 3 | LBV3-5 | BUTTERFLY 3" DISC | 1 | ALUMINIUM |
| 4 | LBV3-1 | HANDLE ASSY | 1 | ALUMINIUM |
| 5 | 0225 | O-RING | 2 | NITRILE |
| 6 | 0709 | CAPSCREW METRIC | 2 | Z/P STEEL |
| 7 | 0156 | NUT NYLOC | 2 | Z/P STEEL |
| 8 | 3368 | PIPE SEALANT | 1 | SEALANT |

X751904

LBV4-7 LOCKING TAB TO REPLACE HANDLE IS AVAILABLE AS A OPTION.

Issue: B

METERS - VALVES - VENTS - MANHOLES - PUMPS - HOSEREELS - OVERFILL PROTECTION - LOADING ARMS - ELECTRONIC DIPSTICKS

