

# API-NCFG API Nosecone Feeler Gauge

The purpose of Liquip's API-NCFG is to clearly show the level of wear on any API nosecone that is manufactured to API RP1004 and EN 13083 Standard.

## Key Features

- Made from grade 304 stainless steel for durability and longevity.
- Multiple measurements allow you to see where in the allowable tolerance the API nosecone is.



API-NCFG shown

## Operation (Text provided on unit)

### #1 - API RP1004 & EN 13083 Maximum Nose Size

This gauge is at the upper tolerance of the standard. If this gauge does not fit over, loading couplers may not connect.

### #2 - API RP1004 & EN 13083 Nominal Nose Size

This gauge is at the mid tolerance of the standard and indicates a nosecone in the ideal working condition.

### #3 - API RP1004 & EN 13083 Minimum Nose Size

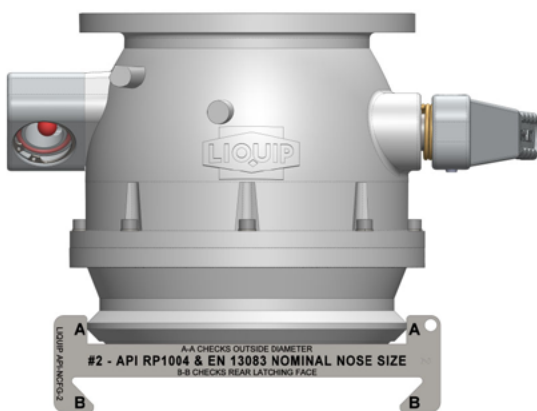
This gauge is at the lower tolerance of the standard. If this gauge fits over, the nosecone has worn outside the standard.

### #4 - Half Worn - Recheck Regularly

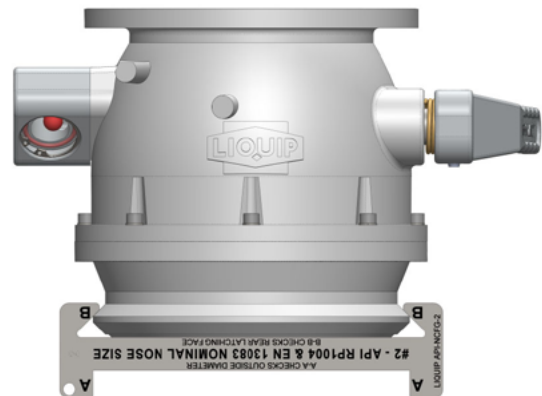
This gauge indicates a nosecone with 0.4mm wear beyond the lower tolerance of the standard. It is possible for a coupler to disengage itself from a nosecone of this size.

### #5 - Worn - Replacement Recommended.

This gauge indicates a nosecone with approx 0.8mm wear beyond the lower tolerance of the standard. It is not uncommon for a coupler to disengage itself from a nosecone of this size.



Checking outside diameter



Checking rear latching face

## Ordering Information

**API-NCFG:** Stainless steel API Nosecone wear gauge set.

## Associated Equipment

**API490 series API Adaptors.**  
**API-LI:** API coupler latching indicator.