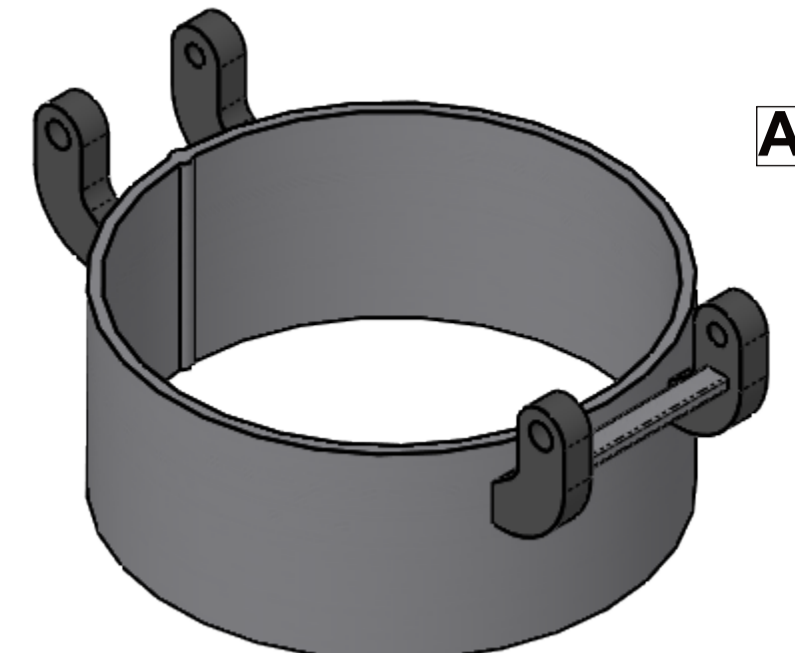


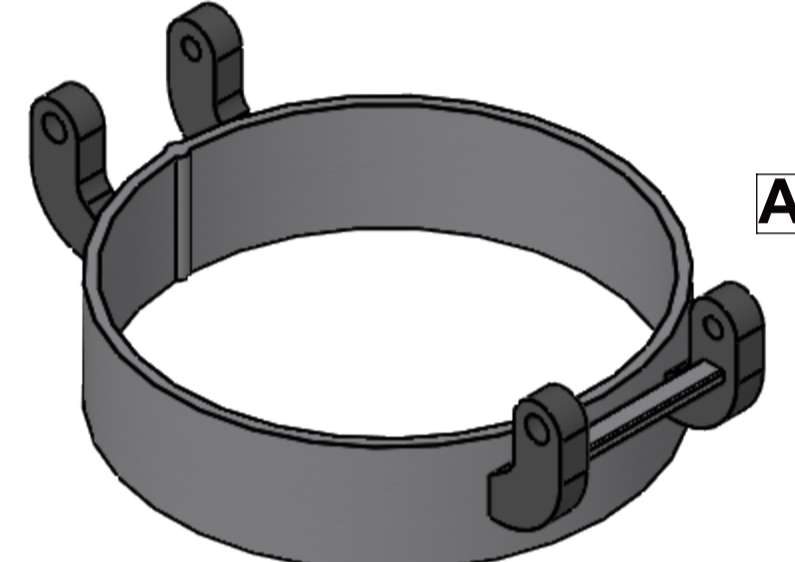
EMERGENCY VENT, BRIDGE & HANDLE

EH230 INSPECTION HATCH ASSEMBLIES

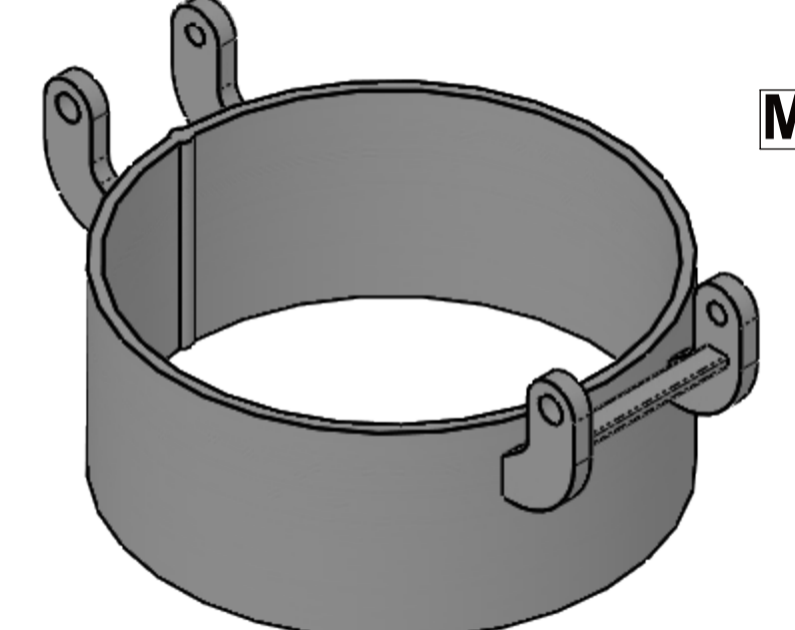
COAMING



EH230-1A
9" ALUMINIUM 100mm COAMING

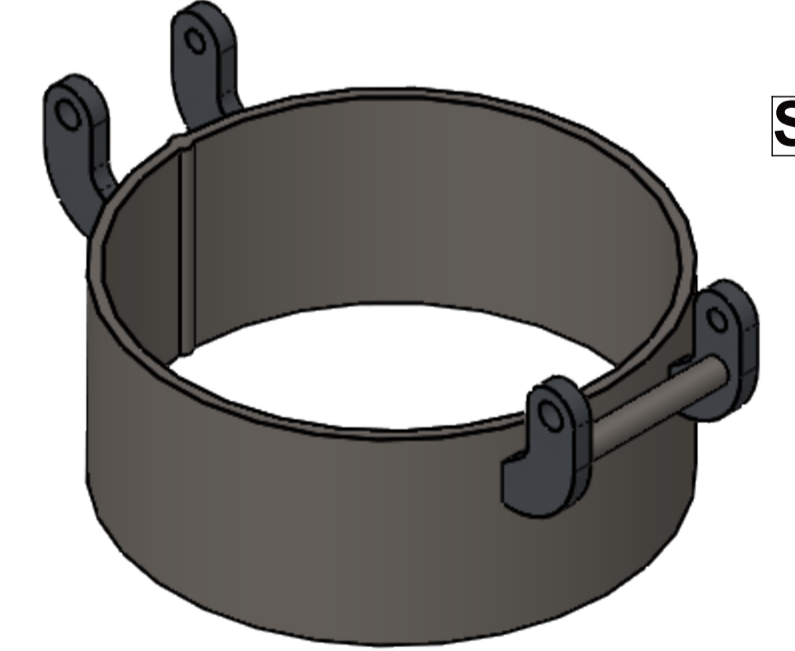


EH231-1A
9" ALUMINIUM 60mm COAMING

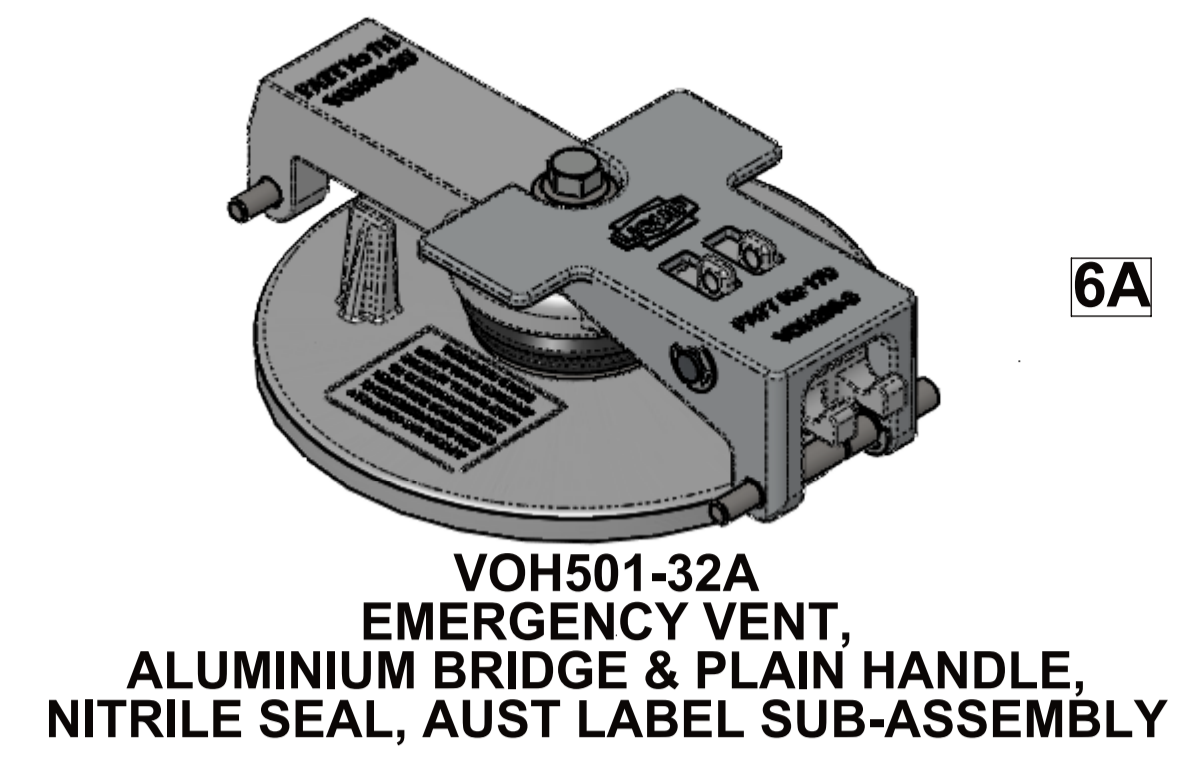


EH230-1M
9" MILD STEEL COAMING

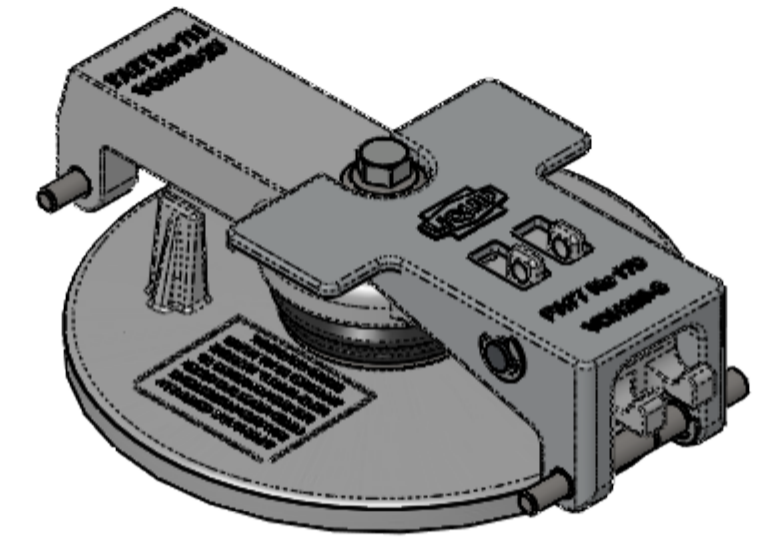
THIS ITEM NOT STOCKED
MADE TO ORDER ONLY



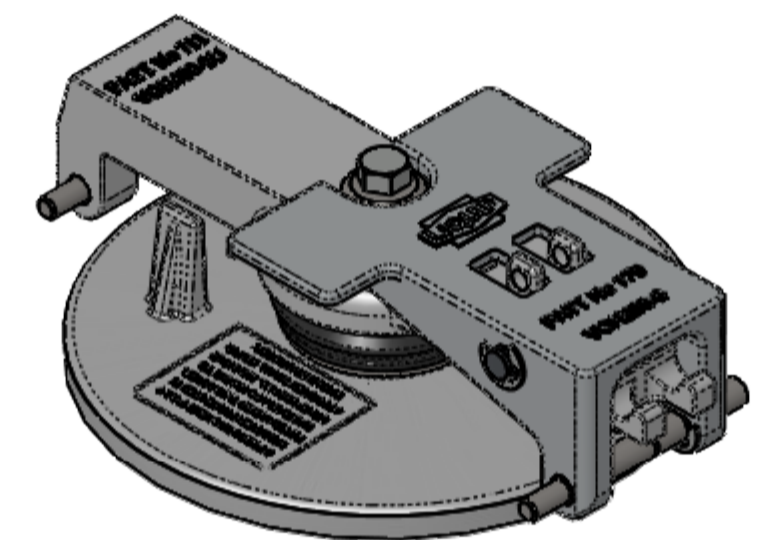
EH230-1S
9" STAINLESS STEEL (316) COAMING



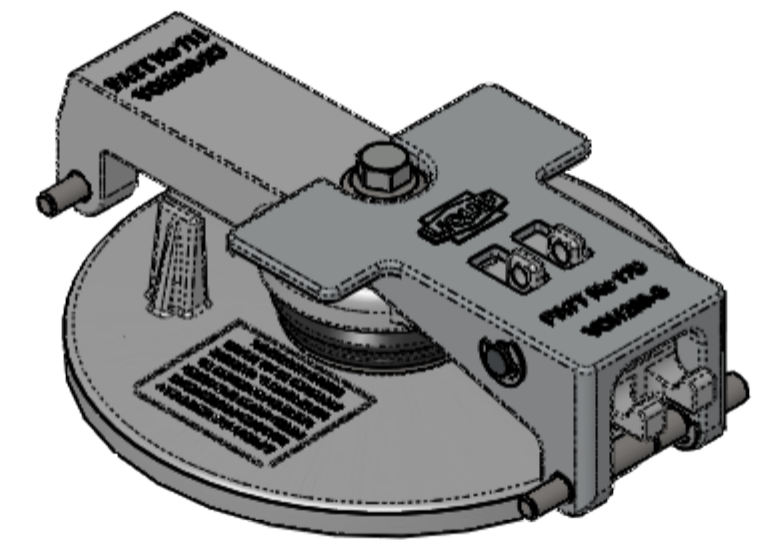
VOH501-32A
EMERGENCY VENT,
ALUMINIUM BRIDGE & PLAIN HANDLE,
NITRILE SEAL, AUST LABEL SUB-ASSEMBLY



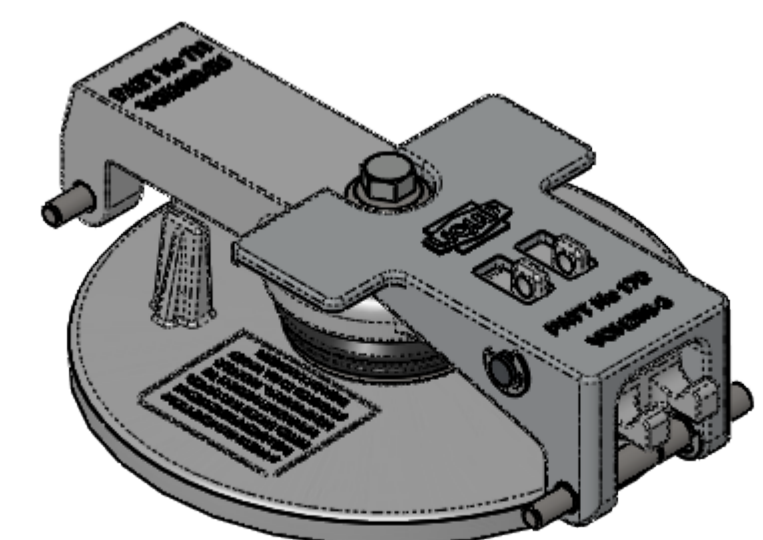
VOH501-32AV
EMERGENCY VENT
ALUMINIUM BRIDGE & PLAIN HANDLE
VITON SEAL, AUST LABEL SUB-ASSEMBLY



VOH501-32U
EMERGENCY VENT,
ALUMINIUM BRIDGE & PLAIN HANDLE
NITRILE SEAL, LABEL SUB-ASSEMBLY

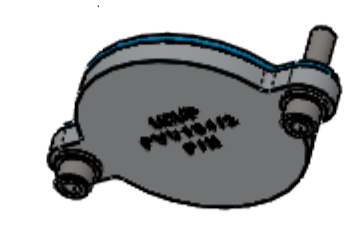


VOH501-32UV
EMERGENCY VENT,
ALUMINIUM BRIDGE & PLAIN HANDLE
VITON SEAL, LABEL SUB-ASSEMBLY

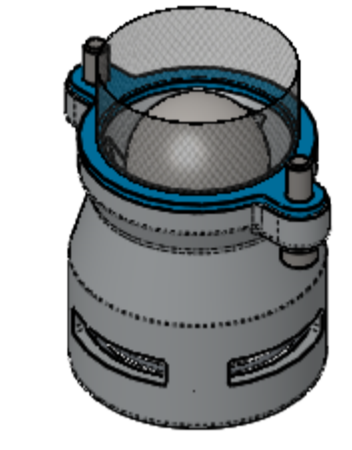


VOH501-32AVG
EMERGENCY VENT
ALUMINIUM BRIDGE & PLAIN HANDLE
NITRILE SEAL, VITON GFLT O-RINGS, AUST LABEL SUB-ASSEMBLY

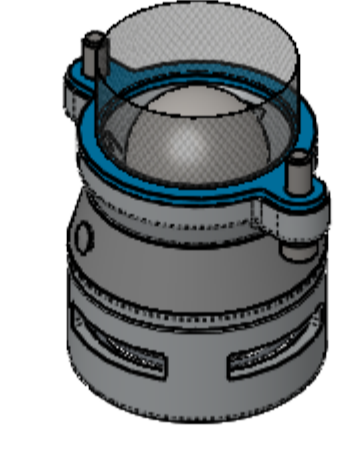
PRESSURE & VACUUM VENT



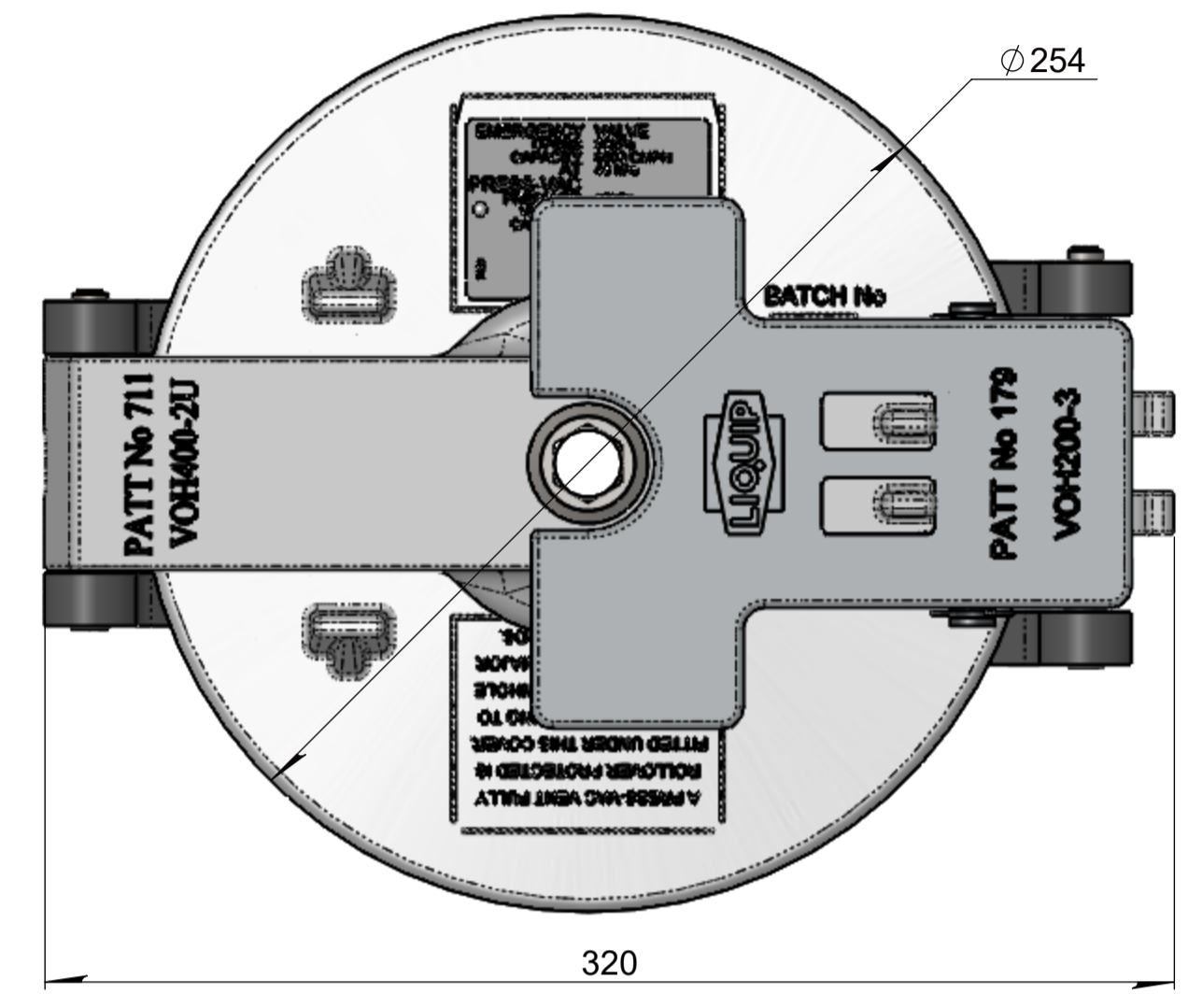
PVV104-2
BLANKING PLATE
4250 GASKET NBR CORK
5269 WASHER SPRING
55024 CAPSCREW M6 x 25



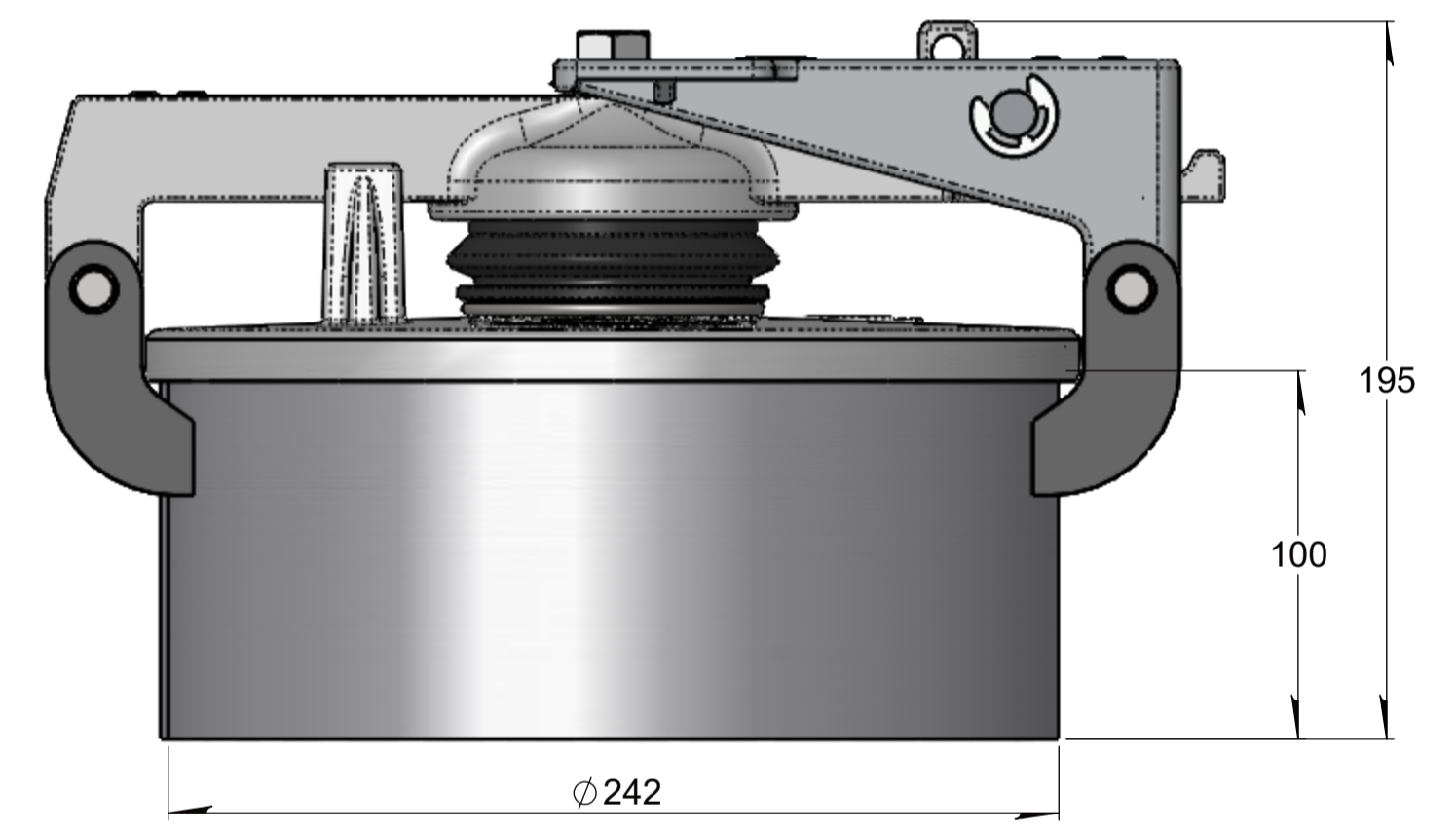
PVV104M
(AUSTRALIA)



PVV104UM
(INTERNATIONAL)



TOP VIEW



FRONT VIEW

METRIC ASSEMBLY NUMBERS:

EXAMPLE: **EH230-A-6A-8A**

COAMING LENGTH _____
 COAMING MATERIAL _____
 EMERGENCY VENT SUB-ASSY _____
 PVV VENT OR BLANKING _____

NOTE: SPECIAL ALL STAINLESS STEEL INSPECTION HATCH AVAILABLE, MADE TO ORDER SEE PART No. EH230-SS-B

B	REMOVED "UK" AND ADDED "INTERNATIONAL"	HT	28-Sep-21	20-022
A	ORIGINAL ISSUE	DT	26/08/2020	19-027
REV.	REVISION DESCRIPTION	BY	DATE	MDC REF

DRAWING TITLE: EMERGENCY HATCH 9" INSPECTION OPENING		LIQUIP PART		EH230 SERIES	
MATERIAL: SEE TABLE		DRAWN		17/3/03	
HEAT TREATMENT: NONE		ASSY DWG		N/A	
PROTECTIVE TREATMENT: NONE		PATT No		N/A	
REMOVE ALL SHARP EDGES AND BURRS		SCALE		1:3	
TOLERANCE UNLESS OTHERWISE SPECIFIED		MASS		6.23	
LINEAR ±0.25		DRAWN BY		DT	
ANGLES ±1°		A1		Sheet 1 of 1	
SURFACE FINISH 3.2µm		DRAWING NO		E55103	
MAXIMUM DRAFT 1.5°		ISSUE		B	
FILLET RADIUS 2mm		E55103		B	

Drawing file: \\Opw-syd-v002.dover-global.net\engineering\EngDwg\EH230 ASSEMBLIES-METRIC.sldrw
 Model file: \\Opw-syd-v002.dover-global.net\engineering\EngDwg\EH230 ASSEMBLIES